



**INSTALLATION GUIDE
ENGLISH**

Code: **ARAS450**

Name: **ARAD rails dedicated for RACK19"
cabinets - 450mm depth**

IM ARAS450

IP20

RoHS

Edition: 1 from 30.01.2017
Supersedes: -----

EN

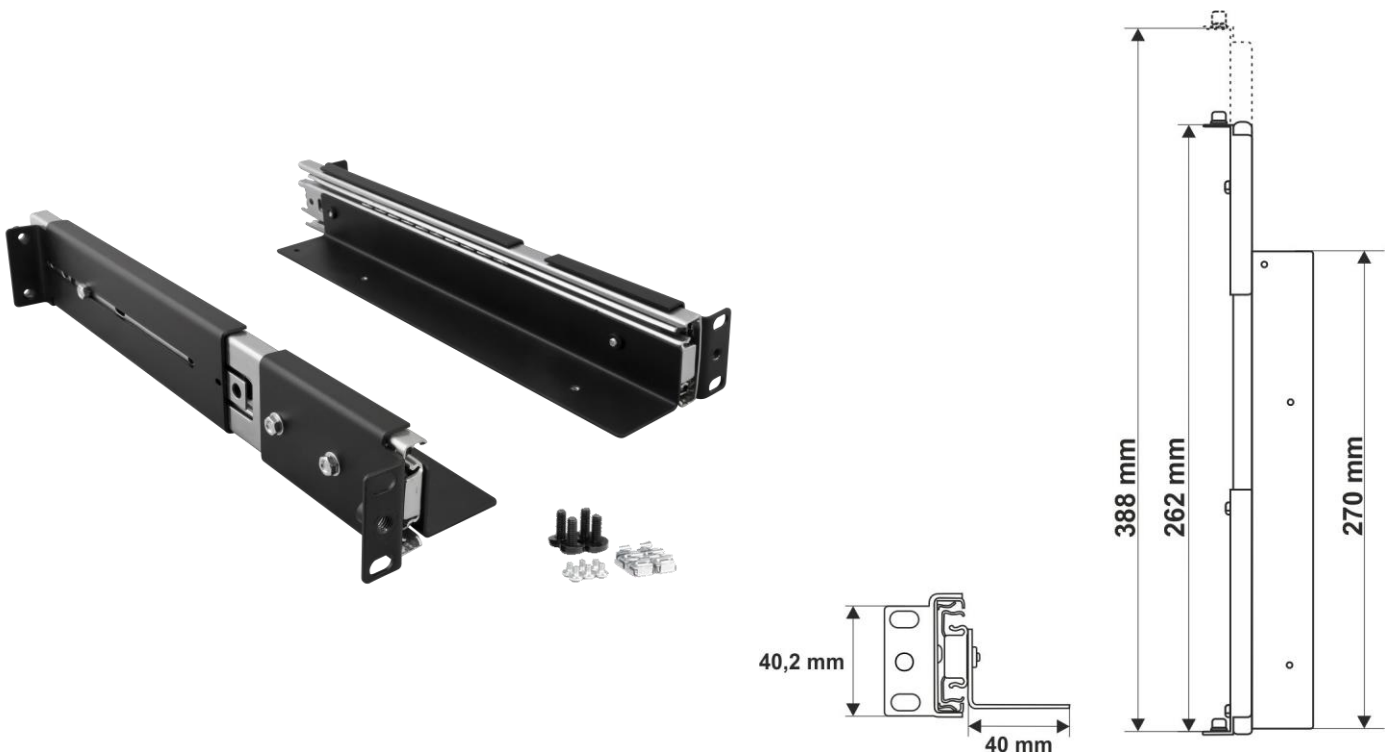
1. Intended use:

The ARAS450 rail is intended for mounting RACK enclosures, type: ARAD2S/ ARAD3S/ ARAD4S in a 450mm deep RACK 19" cabinet.

sliding rails – fully extendable

2. Specifications.

SPECIFICATIONS	
Mounting dimensions:	H=1U, D=262÷388 [mm, +/-2]
Net / gross weight:	1,65 / 1,80 [kg]
Materials:	- sheet metal DC01, 1mm thick, RAL9005 - sliding rails – fully extendable
Static load:	30kg
Notes:	- four-point butt mounting to RACK profiles + supported on front and rear RACK profiles - 4 M6 screws + cage nuts included - 4 M4 screws included – to bolt the RACK enclosure
Use:	inside
Declaration, warranty:	CE, 2 year from the production date

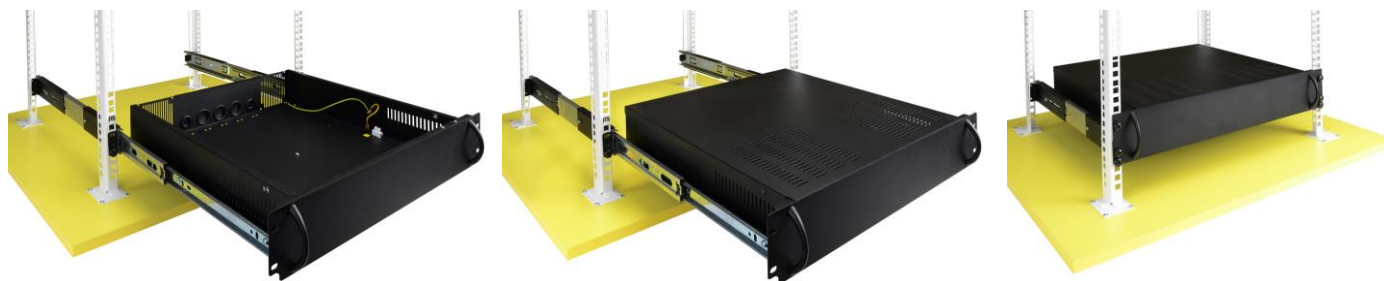


3. Assembling instructions:

3.1. Mount the M6 cage nuts to the RACK cabinet, as shown in the picture below. Then, mount the ARAS rails. Take notice of the correct positioning of the horizontal rails. Adjust their length between the front and back RACK profiles.



3.2. Place the ARAD enclosure onto the slid-out ARAS rails. Next, bolt it from the inside with M4 screws (included). The enclosure is to be fixed to the front part of the RACK rails with four 4xM6 screws.



MANUFACTURER

Pulsar
Siedlec 150,
32-744 Łapczyca
Tel. (+48) 14-610-19-40, Fax. (+48) 14-610-19-50
e-mail: biuro@pulsar.pl, sales@pulsar.pl
http:// www.pulsar.pl, www.zasilacze.pl